

TUNG-SOL

CATHODE RAY

COATED UNIPOTENTIAL CATHODE

HEATER

6.3 VOLTS 0.6 AMP.

AC OR DC

RECTANGULAR GLASS BULB

SMALL SHELL DUODECAL 5 PIN BASE

THE 17BP4A IS AN ALL GLASS MAGNETIC FOCUS AND DEFLECTION DIRECT-VIEW PICTURE TUBE FOR TELEVISION APPLICATIONS. FEATURES OF THIS TUBE ARE AN ELECTRON GUN DESIGNED TO BE USED WITH AN EXTERNAL ION-TRAP MAGNET FOR THE PREVENTION OF ION-SPOT BLEMISH, A GREY NEUTRAL-DENSITY FACEPLATE FOR INCREASED PICTURE CONTRAST AND DETAIL UNDER HIGH AMBIENT LIGHT CONDITIONS AND A SPACE-SAVING RECTANGULAR BULB SHAPE. AN EXTERNAL CONDUCTIVE COATING SERVES AS A FILTER CAPACITOR WHEN GROUNDED.

DESCRIPTION

FLUORESCENCE AND PHOSPHORESCENCE	WHITE
PERSISTENCE	MEDIUM
DEFLECTING AND FOCUSING METHOD	MAGNETIC
DEFLECTING ANGLE (APPROX.):	
HORIZONTAL	65 DEGREES
VERTICAL	70 DEGREES
ION TRAP	MAGNETIC
BULB CONTACT	RECESSED SMALL CAVITY CAP
COATING	CONDUCTIVE

DIRECT INTERELECTRODE CAPACITANCES — APPROX.

GRID #1 TO ALL OTHER ELECTRODES	6.5	μmf
CATHODE TO ALL OTHER ELECTRODES	5	μmf
EXTERNAL CONDUCTIVE COATING TO ANODE	750 — 2000	μmf

RATINGS

INTERPRETED ACCORDING TO RMA STANDARD M8-210

HEATER VOLTAGE	6.3	VOLTS
HEATER CURRENT	0.6	AMP.
MAXIMUM ANODE VOLTAGE	16 000	VOLTS
MAXIMUM GRID #2 VOLTAGE	410	VOLTS
MAXIMUM GRID #1 VOLTAGE:		
NEGATIVE BIAS VOLTAGE	125	VOLTS
POSITIVE BIAS VOLTAGE	0	VOLTS
POSITIVE PEAK VOLTAGE	2	VOLTS
PEAK HEATER-CATHODE VOLTAGE:		
HEATER NEGATIVE WITH RESPECT TO CATHODE:		
DURING EQUIPMENT WARM-UP PERIOD		
NOT EXCEEDING 45 SECONDS	410	VOLTS
AFTER EQUIPMENT WARM-UP PERIOD	150	VOLTS
HEATER POSITIVE WITH RESPECT TO CATHODE	150	VOLTS
MAXIMUM GRID #1 CIRCUIT RESISTANCE	1.5	MEG OHMS

→ INDICATES A CHANGE OR ADDITION.

CONTINUED ON FOLLOWING PAGE

TUNG-SOL

CONTINUED FROM PRECEDING PAGE

TYPICAL OPERATING CONDITIONS AND CHARACTERISTICS

ANODE VOLTAGE	12 000	VOLTS
GRID #2 VOLTAGE	300	VOLTS
GRID #1 VOLTAGE (FOR VISUAL EXTINCTION OF UNDEFLECTED FOCUSED SPOT)	-33 TO -77	VOLTS
FOCUSING COIL CURRENT (APPROX.)	100	MA.
ION TRAP FIELD INTENSITY (APPROX.) ^A	35	GAUSS

^A SINGLE FIELD ION-TRAP MAGNET.

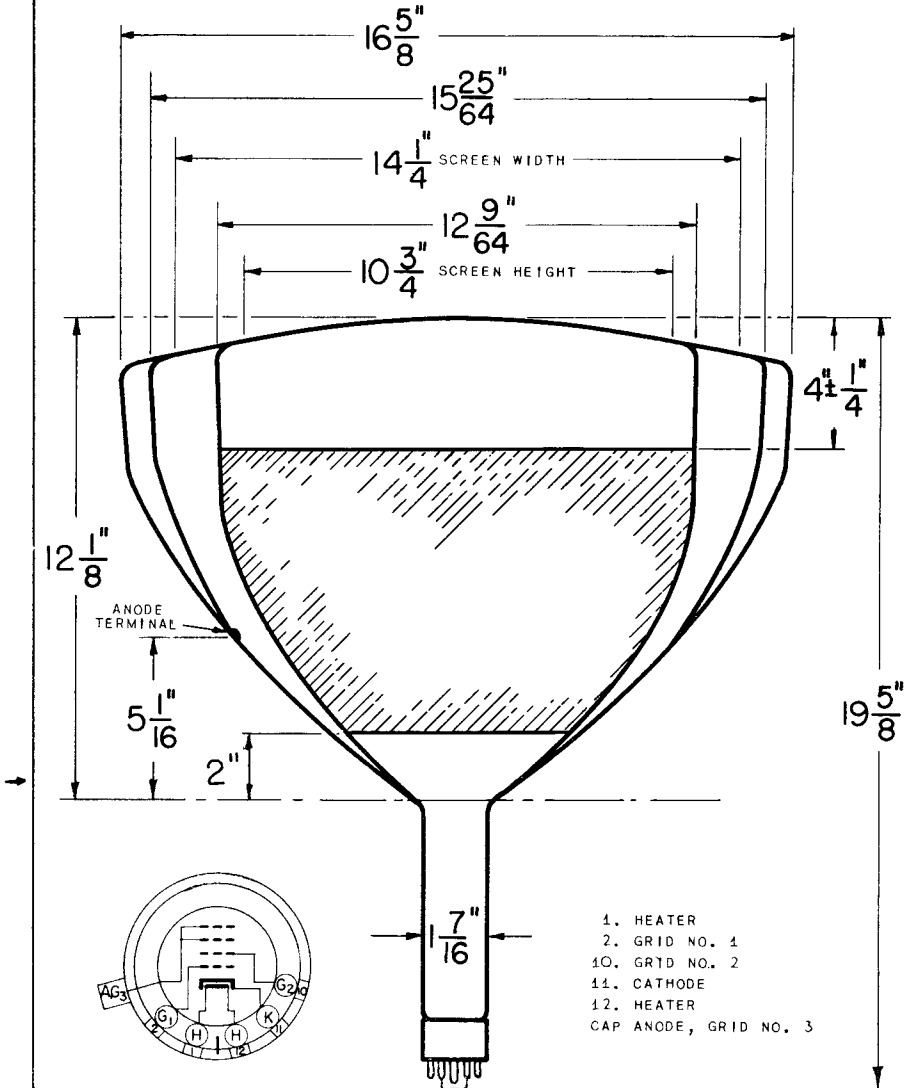


PLATE
2540
DEC. 1
1950